

APPLICATION:

PRODUCT NAME:
SINGLE WALL MOUNT CONTROL VALVE

JOB NAME:

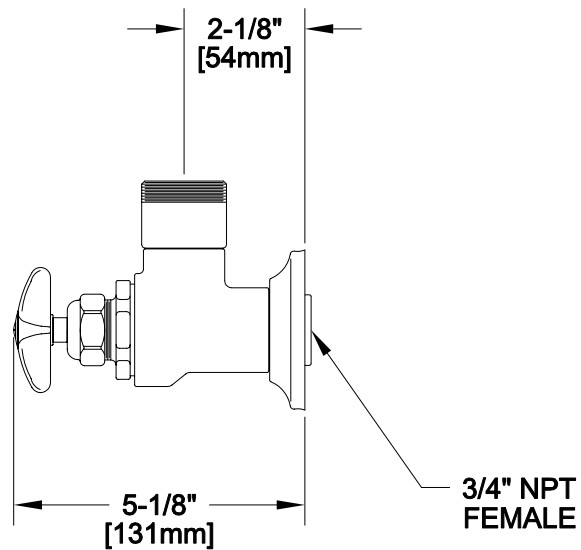
SPECIAL CONFIGURATION
 CHECK BASE MODEL AND OPTIONS

QUANTITY:

ITEM NO.

MODEL:
 5700

OPTIONS OR MODIFICATIONS:
 HANDLES (CROSS OR WRIST) CIRCLE STYLE
 VANDAL RESISTANT KIT
 OTHER _____



FEATURES

- CONTROL VALVE**
- * SINGLE WALL MOUNT
 - * SWIVEL OUTLET
 - * SWIVELLING SEAT DISK
 - * STEM - RIGHT HAND
 - * STAINLESS STEEL SEAT
 - * STAINLESS STEEL SEAT SCREW
 - * STAINLESS STEEL HANDLE SCREW
 - * HOT AND COLD INDEX BUTTONS

- SYSTEM LIMITS**
- * TEMP: 40°F MIN. TO 140°F MAX.
 - * PRESSURE: 200 PSI MAX. STATIC
 - * 23 GPM AT 80 PSI

SHIPPING WEIGHT
* 7.0 LBS

ROUGH-IN:

